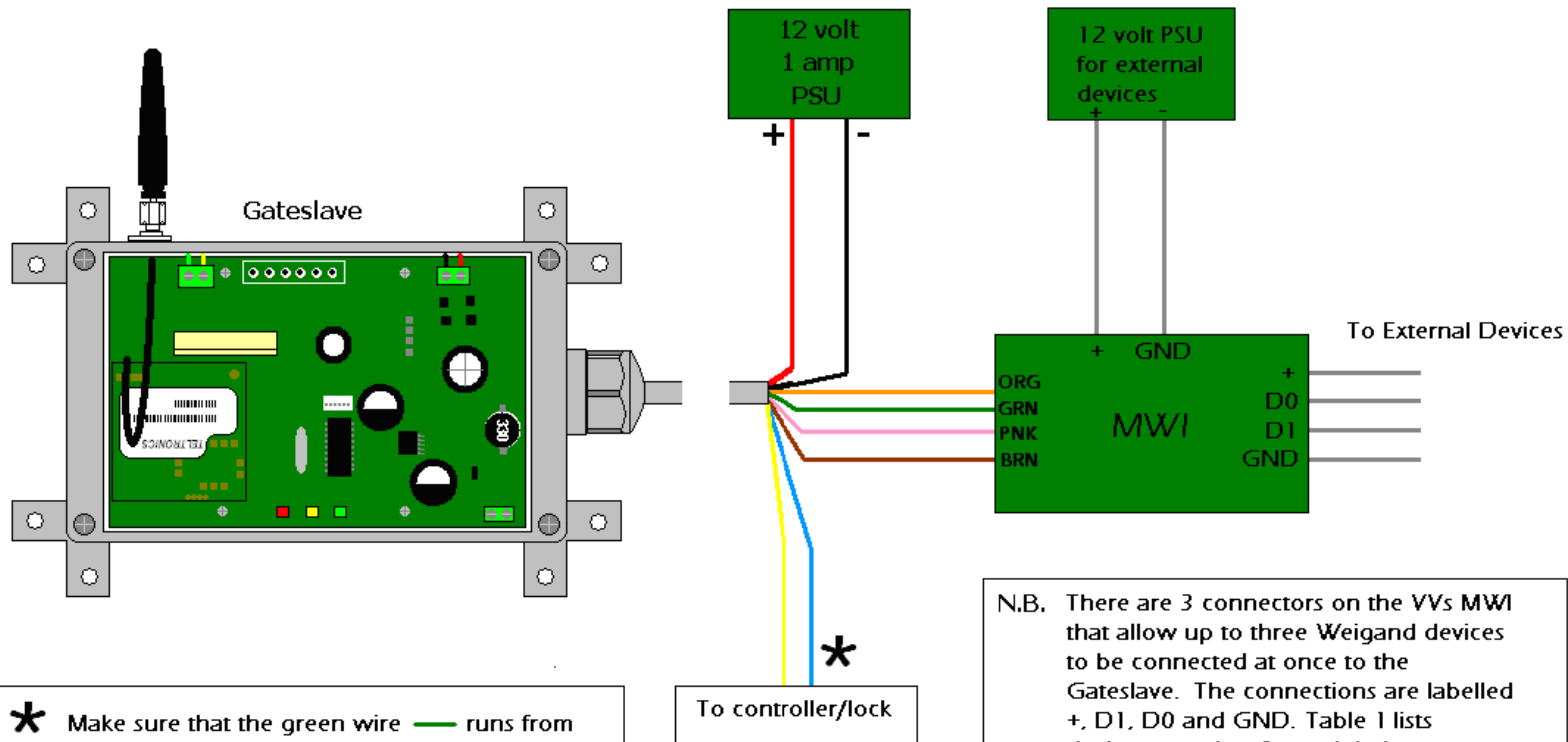


Interface to external Weigand Devices.

YOU MUST USE AN MWI BOARD when connecting to a Weigand Device



* Make sure that the green wire — runs from the Gateman to the MWI and the turquoise wire — runs from the Gateman to the controller/lock. The colours may be hard to differentiate in dim lighting as the turquoise wire can look like light green.

N.B. There are 3 connectors on the VVs MWI that allow up to three Weigand devices to be connected at once to the Gateslave. The connections are labelled +, D1, D0 and GND. Table 1 lists devices tested so far and their connection. The power supply for the Weigand devices must be of sufficient power to power all 3 devices if connected.